

TUF TAG

ZoneSafe TUF Tag

The TUF Tag is a cost effective RFID Transponder used as part of the ZoneSafe system giving close proximity audible and visual warning alerts to vehicle drivers that may need to operate near to vulnerable assets (e.g. static aircraft) or other hazards where a collision risk exists and collision avoidance is paramount.

The TUF tag is housed in rugged weatherproof cylindrical enclosure. In its normal configuration it is designed to fit into the top of aviation traffic cones which are placed in strategic positions around the vulnerable asset or hazard. Optional stainless steel mounting brackets are available to allow for alternative fixing arrangements as required depending on the application.

The operational range of the proximity system is adjustable between about 3 and 9 metres which is set by the ZoneSafe base unit mounted in the vehicle. Any number of TUF Tags can be used depending on the size or number of assets or hazards to be protected.



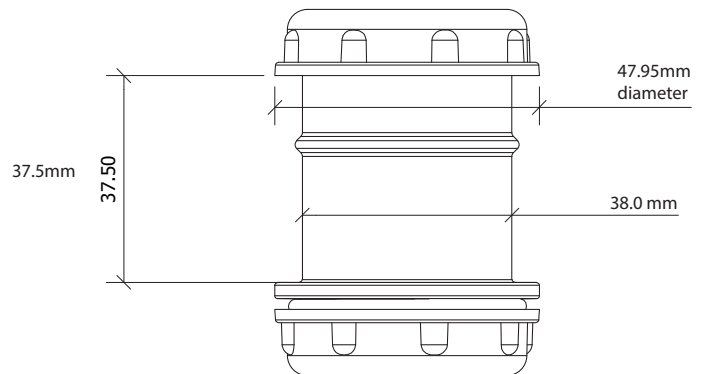
Fits flexible safety cone neck dimensions of 39 - 44mm diameter.

General Specifications

- Dimensions** 48 x 63mm
- Materials** Reinforced polymer
- Weight** 70 grams
- Protection** IP67
- Temperature** -20 C to 55 C (still testing)!!!
- Holder** Cone Mounting or bracket

Features Benefits

- Robust** Fully encapsulated electronics and replaceable power cell, sealed in a reinforced polymer enclosure, protecting against extreme weather, shock & vibration.
- Mobility** Used with a safety cone the Tag is easily positionable around the required asset. Cones can be stacked with the tags in place.
- Ease of use** The tag can be fitted quickly and easily into a safety cone, enabling you to get a protective zone up and running with minimum effort and stress. Power cells can be also be replaced with minimum hassle on site.
- Long Life** Transponders are powered by a hi-capacity replaceable power cell providing a long operational life. Only the highest quality materials and components are used so as to ensure the longest product life possible.



Replacement Part Numbers

- 02-6425** Screw Top Cap
- 80-0159** 'O' Ring seal
- 02-6426** Card Spanner
- 00-6508** Battery

"For information on where to purchase compatible cones please contact our friendly sales team."

A05 6655