

Qu-Box

ZoneSafe Qu-Box

During normal working practice, ZoneSafe will detect pedestrian workers in close proximity to the vehicle.

When workers need to carry out duties adjacent to vehicle movements, the Qu-Box provides a zone within the working area that prevents workers tags from triggering the vehicle alarm.

Once the worker leaves the Qu-Box zone, tags will once again be continually detected, triggering the vehicle alarm.

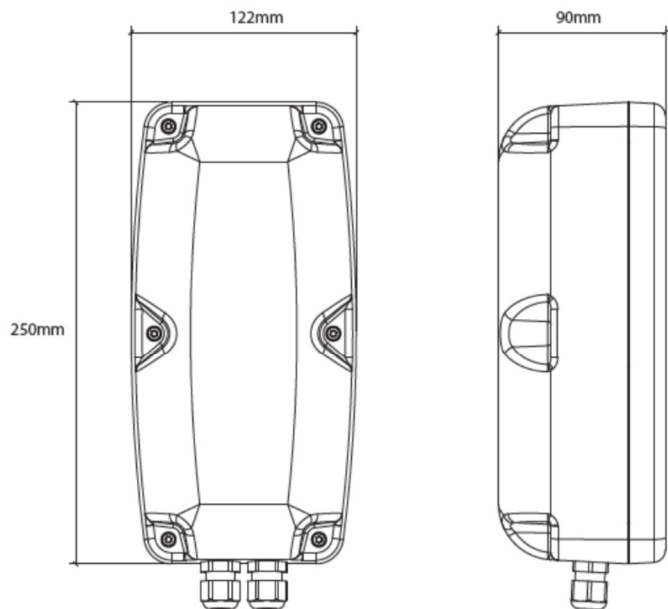


Features Benefits

- Robust** Rugged weatherproof enclosure enables the unit to be used inside and outside.
- Network Connectivity** Readers can be connected to a network enabling tag logging and management via local or online services.
- Real Time Clock & Memory** Time stamp and store each event on the unit in case of power failure or loss of network.
- Adjustable Range** Adjustable detection range allows the unit to be configured for close proximity detection or detection further away.

General Specifications

- Dimensions** 122 x 90mm x 250mm
- Materials** Reinforced polymer
- Weight** 450 grams
- Protection** IP67
- Temperature** -20 C to 55 C (TBC)
- Mounting** 1.5 Inch ram mount or adaptor plates



SEA Distributor

Automation Support Services Pte Ltd
 60 Kaki Bukit Place
 08-13 Eunos Techpark
 Singapore 415979
 T: +65 6844 6223
 E: david@assmsb.com
 W: www.assmsb.com